



USER MANUAL

STAINLESS DESIGN TURBO HAND DRYER

Model: 288 / 249

TABLE OF CONTENTS

Dimensions and technical specifications	3
General safety information	4
Circuit diagram	4
Installation	5
Product application	6
Recommended installation height	6
Cleaning and maintenance	6
Adjustment of air speed output and temperature	7
Adjustment of sensor range	7
Troubleshooting and corrective actions	8
Symptoms and corrective actions: New hand dryer	8
Symptoms and corrective actions: Used hand dryer	8
Parts list	9

IMPORTANT!

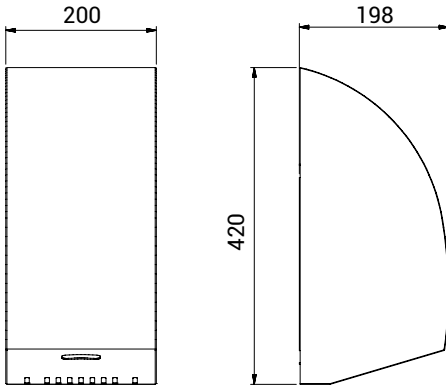
This product falls within the scope of the WEEE directive on recycling and recovery of waste electrical and electronic equipment.



- This product should not be disposed of with general household waste.
- This product must be reused if possible.
- Contact your local authority for further details.
- This product may also be returned to the manufacturer/retailer for proper treatment, recovery, and recycling



DIMENSIONS AND TECHNICAL SPECIFICATIONS



Dimensions
Unit of measurement: mm

TECHNICAL SPECIFICATIONS

DESCRIPTION	DATA
Operating voltage	110V-120V, 50/60Hz, 1.3-1.6kW 220V-240V, 50/60Hz, 1.3-1.6kW
Air temperature	55°C ~ ambient temperature 20°C
Air speed	75-100 m/s (adjustable)
Motor type	350-700W (adjustable)
Motor thermal protection	Auto resetting, thermostat turns off at: 120V at 135°C 240V at 95°C
Heating element	350-700W (adjustable)
Heating element protection	Auto resetting, thermostat turns circuit off at: 85°C, thermal fuse turns off at 142°C
Drying time	≤ 10 seconds
Stand-by power	1.0-1.4W
Sensor type	Infra red
Sensor range	100-230 mm adjustable. Standard 170 mm± 20 mm
Protection timer	60 seconds auto shut off
IP Class	IP21
Insulation class	Class 1
Net weight	5.7 kg
Gross weight	6.5 kg

PRODUCT TYPE / MODEL

288 / 249 Stainless steel, TURBO Design hand dryer, 230V/110V

GENERAL SAFETY INFORMATION

WARNING

- All units must be equipped with a 3-wire service. Connect the ground wire according to the instructions.
- This product must be installed only by qualified persons. Use 2.0 mm² (AWG) NO.14 wiring.
- Turn off the power to the unit before servicing or cleaning. All wires must be disconnected.
- Incorrect installation, defect power cords, or failure to properly ground unit could result in electrical shock or life-threatening injuries

NOTE

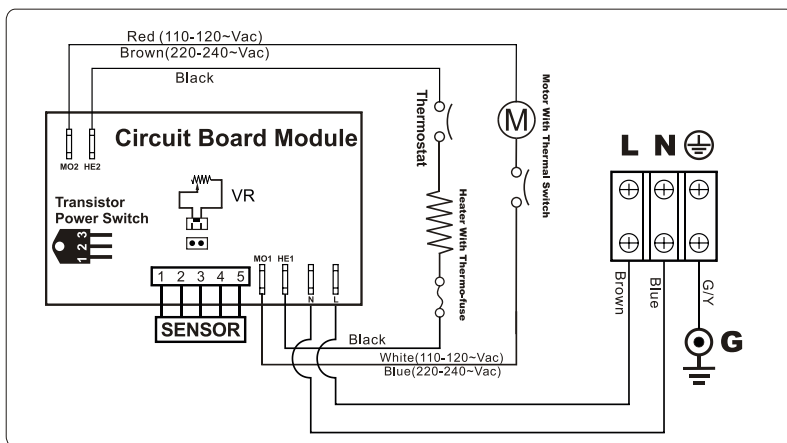
We do not recommend to install this product less than 300 mm above washbasin, tabletop or other surface. This product is suitable for indoor use only.

Type Y connection: If the power supply cord is damaged, it must be replaced immediately. Only qualified persons shall be permitted to replace the cord to avoid a hazard. Disconnect the electricity supply cord according to instructions.

This product is not intended for use by persons (inclusive children) with reduced physical, sensory or mental capabilities, or lack of experience and knowledge, unless they are supervised or have been given instruction concerning use of the product by a person responsible for their safety.

Children should be supervised to ensure this product is used correctly.

CIRCUIT DIAGRAM



INSTALLATION

- Make sure the main breaker is turned off. Installation must be carried out by a qualified person in accordance with standards applicable in the country where the equipment is to be installed.
- Place template against the wall at desired height (see mounting height recommendations).

1. Dismount the casing by removing the 2 securing screws.

2. Place the template on the wall at the desired location (see recommended installation height). Drill (4) holes as indicated.

3. Attach the base plate of the hand dryer to the wall with the screws supplied with the unit

4. Insert the power cord through the inlet hole. Fasten with the retaining clip

5. Connect supply wires to terminal block:

CONNECTION:

- A.** Connect Live wire (red or brown) to the terminal block marked "L"
- B.** Connect Neutral wire (blue) to the terminal block marked "N"
- C.** Connect Ground wire (green and yellow) to terminal block marked "GND"

NOTE
Colours of live and neutral wires depend on the supply voltage.

PRODUCT APPLICATION

- Shake excess water from hands
- Place hands under the dryer to turn it on
- Rub hands lightly and rapidly
- Stops automatically after hands are removed.

RECOMMENDED INSTALLATION HEIGHT

From bottom edge of hand dryer above finished floor.

Men	1270 mm	(50")
Women	1194 mm	(47")
Children 4-7 years	889 mm	(35")
Children 8-10 years	991 mm	(39")
Children 11-13 years	1092 mm	(43")
Children 14-16 years	1194 mm	(47")
Wheelchair users	1016 mm	(40")

CLEANING AND MAINTENANCE

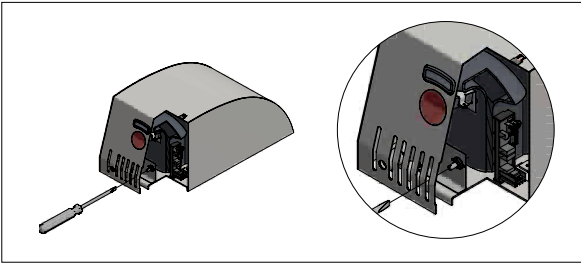
Routine cleaning and maintenance is recommended every 12 months.

- Cut the power
- Unscrew (2) bottom security screws
- Remove the cover
- Clean the cabinet inside and remove dust/dirt. You can use compressed air
- Check carbon brushes in the motor. If carbon brushes are worn (≤ 10 mm graphite remaining), they must be replaced
- Clean sensor lense on both sides
- Do not rinse with running water
- Use a damp cloth and mild cleaning solution. Never use cleaning detergents with an abrasive effect
- Replace cabinet front and tighten screws. Be careful not to overtighten screws



ADJUSTMENT OF AIR SPEED AND TEMPERATURE

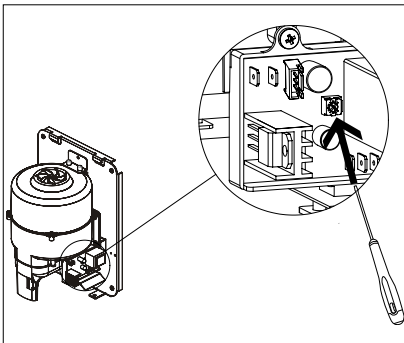
- Insert Philips screwdriver or flat notch through the hole at the bottom of the cover and place the screw head on the potentiometer screw (see drawing below)
- Adjust air speed and temperature on the VR potentiometer:
Clockwise to increase air speed and temperature (+)
Counterclockwise to decrease air speed and temperature (-)
- Be careful not to overturn the adjustment screw



ADJUSTMENT OF SENSOR RANGE

The sensor range is adjustable between 100 mm and 230 mm. Standard range 170 mm \pm 20 mm.

- Switch off power and dismantle the cover by loosening (2) screws at the bottom
- Use a small Philips screwdriver or similar to adjust the sensor on the VR screw:
Clockwise to increase sensor activation range (+)
Counterclockwise to decrease sensor activation range (-)
- The sensor activation range should be adjusted to its environments, e.g. light and distance to the bottom of the sink
- Be careful not to overturn the sensitivity adjustment

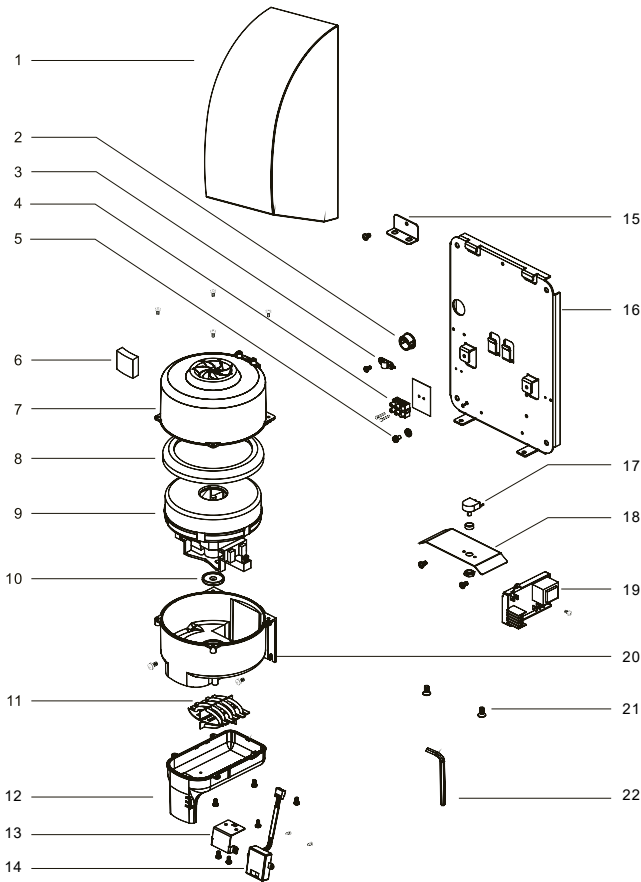


TROUBLESHOOTING AND CORRECTIVE ACTIONS

SYMPTOM	CORRECTIVE ACTION: NEW HAND DRYER
The dryer does not run	<ul style="list-style-type: none"> • Check power supply to the product and ensure the connections at the terminal block are made properly.
The dryer cycles by itself and runs constantly	<ul style="list-style-type: none"> • Make sure nothing is obstructing the IR-sensor activation area. • If problem persists, check the recommended installation height.
The dryer is very loud and does not run for a complete cycle	<ul style="list-style-type: none"> • Ensure power supply is correct • If the timer is damaged, replace both timer and sensor
Hand dryer runs randomly and stops before the cycle is finished	<ul style="list-style-type: none"> • Check timer and sensor. Replace if required.
The hand dryer runs, but the airspeed is low	<ul style="list-style-type: none"> • Ensure the voltage is correct. • Check setting of potentiometer for air speed adjustment (see page 7).

SYMPTOM	CORRECTIVE ACTION: USED HAND DRYER
Hand dryer does not start	<ul style="list-style-type: none"> • Check power supply to the product and ensure the connections at the terminal block are made properly.
IR-sensor only detects motion when hands are placed really close to the hand dryer	<ul style="list-style-type: none"> • Make sure nothing is obstructing the IR-sensor. • Clean sensor. If the problem persists, disconnect the power and remove the cabinet, taking suitable precaution to avoid shock hazard. • Carefully adjust sensor range (see paragraph on this subject). • If the problem persists, replace sensor and timer.
The dryer gets hot, but there is no air stream	<ul style="list-style-type: none"> • Disconnect the power. Remove the cover and disassemble the blower/fan unit.
The dryer blows only cold air during a full cycle	<ul style="list-style-type: none"> • Disconnect the power. • Remove the cover and disassemble the blower/fan unit. • Check the heating element thermostat for open circuit. • Check the heating element for defects. Replace defect heating element.
Hand dryer does not run smoothly	<ul style="list-style-type: none"> • Check carbon brushes. Replace if they are worn or damaged. If no faults are detected, replace motor.

PARTS LIST



No.	Description
1	Housing
2	Nylon bushing for cable inlet hole
3	Cable clamp
4	Terminal block
5	Earthing screw
6	Shock absorber
7	Blower housing - upper part
8	Rubber gasket for blower housing (large)
9	Motor, 700W
10	Rubber gasket for blower housing (small)
11	Heating element, 900W
12	Outlet branch

No.	Description
13	Gasket for sensor
14	Sensor
15	Bracket for blower housing
16	Backplate
17	Potentiometer
18	Bracket for potentiometer
19	Timer
20	Blower housing – lower part
21	Housing screws (2 pcs.)
22	Allen key for housing screws



DAN DRYER A/S
Tåsingevej 2
DK - 8940 Randers SV

T: +45 8641 5711
E: info@dandryer.com
W: dandryer.com